

Model HA/PA35

The new
Raffaello Series

conceived with new modular design, guarantees high flexibility. It is designed with reliability in mind for easy maintenance and installation and for heavy duty applications. Suitable for CIP and SIP.

MODEL TABLE* | MAXIMUM CAPACITY** | PRESSURE

MODELS	POWER kW	PRESSURE bar	150	200	250	400	600	1000	1200	1500
HA/PA35	132	CAPACITY l/h	22.600	20.400	16.300	9.100	6.500	3.100	2.600	1.900

*Values referring to machines with fixed capacity

**Values referring to products with a max viscosity of 500Cp

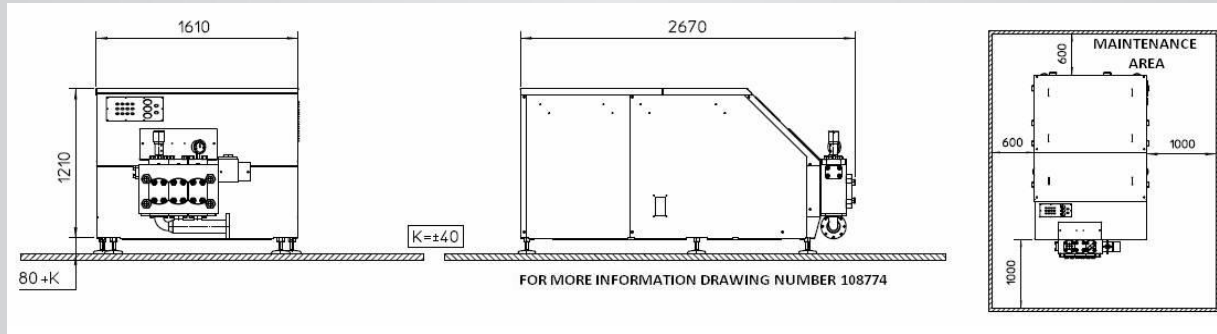
TECHNICAL DATA

Plunger number	3
Stroke (mm)	100
Weight (Kg)	4.200
Water consumption (l/h)	200
Lubrication oil quantity (kg)	(SAE 15W-40) 40
Connection product inlet/outlet	Flange to weld $\varnothing e115$ $\varnothing i110$ / $\varnothing e52$ $\varnothing i46$

Design according to MACHINE DIRECTIVES and the HARMONIZED EUROPEAN STANDARD in force



Model HA/PA35



FEATURES

Duplex (SAF2205) monoblock stainless steel compression head of high mechanical and corrosion resistance, self alignment patented plungers chrome coated

Double stage transmission system with pendular gear reducer and trapezoidal belts and pulleys

Homogenizing group with hydro-pneumatic adjustment of the pressure for maximum stability and homogenizing valves in stellite™

Conical valve seat and poppet valves in stellite™

Overpressure valve, flow switch alarm on water circuit

Digital pressure transmitter with ceramic membrane

Forced lubrication system with pressure switch, cast iron crankcase with supporting roller bearings

Terminal box and control panel for local/remote control

OPTIONS

Second stage homogenizing group

Superduplex (SAF2507) Multiblock compression head for pressure >600 bar

Aseptic execution

- Sterile water generator by means of condensed steam generator
- Patent pending sterile water generator by means of microfiltration

3A, EHEDG or PHARMA design

- Low roughness and electropolished wettables
- Certification manual for cGMP

Standard or sharp Homogenizing valve with different geometries depending on the type of product

- Tungsten carbide
- Ceramics
- High-efficiency patented homogenizing valve "Margherita"

Tungsten carbide valve seats

Pumping plungers

- Chrome carbide coating
- Integral ceramics

Electric board

- Internal electric board for fixed and variable capacity
- Automatic pressure control (PID) by means of PLC

Inlet and outlet connections

- DIN 11851, Tri clamp, SMS
- High pressure outlet
- Option upon request

Explosion proof design

Sound proof design

Vibration and temperature monitoring and alarm

