

INNOVA J

Overflow Single Seat Valve



APPLICATION

The INNOVA type J valve is a pneumatic single seat valve designed for use as overflow valve in hygienic installations. Its most important applications involve operating as a by-pass valve for positive displacement pumps or protecting equipment against excessive pressure.

Adjusting the screw on the upper part sets the spring pressure, which sets the valve's closing pressure.

The valve opens when the set pressure is exceeded.

The valve comes with an actuator that enables liquid to flow during CIP cleaning processes.

DESIGN AND FEATURES

Pressure range: from 0,5 to 6 bar.

Easy assembly/disassembly of internal parts by loosening a clamp fastener.

Open lantern allows visual inspection of shaft sealing.

360° adjustable body.

TECHNICAL SPECIFICATIONS

Materials

| | |
|------------------------------------|--------------------|
| Parts in contact with the product | 1.4404 (AISI 316L) |
| Other stainless steel parts | 1.4301 (AISI 304) |
| Gasket in contact with the product | EPDM |

Surface finish

| | |
|----------|-----------------------------------|
| Internal | Bright polish $Ra \leq 0,8 \mu m$ |
| External | Matt |

Available sizes

| | |
|---|----------------|
| DIN EN 10357 series A <small>(previously DIN 11850 series 2)</small> | DN 25 - DN 100 |
| ASTM A269/270 <small>(corresponds to OD pipe)</small> | OD 1" - OD 4" |

Connections

Weld

Operating limits

| | | |
|--------------------------|---------------------|---------------|
| Temperature range | -10°C to 121°C | 14°F to 250°F |
| SIP temperature | 140°C (max. 30 min) | 284°F |
| Maximum working pressure | 1000 kPa (10 bar) | 145 PSI |
| Maximum opening pressure | 600 kPa (6 bar) | 87 PSI |
| Minimum working pressure | Vacuum | Vacuum |
| Compressed air pressure | 6 - 8 bar | 87 - 116 PSI |

OPTIONS

Gaskets: HNBR or FPM.

Other connection types.

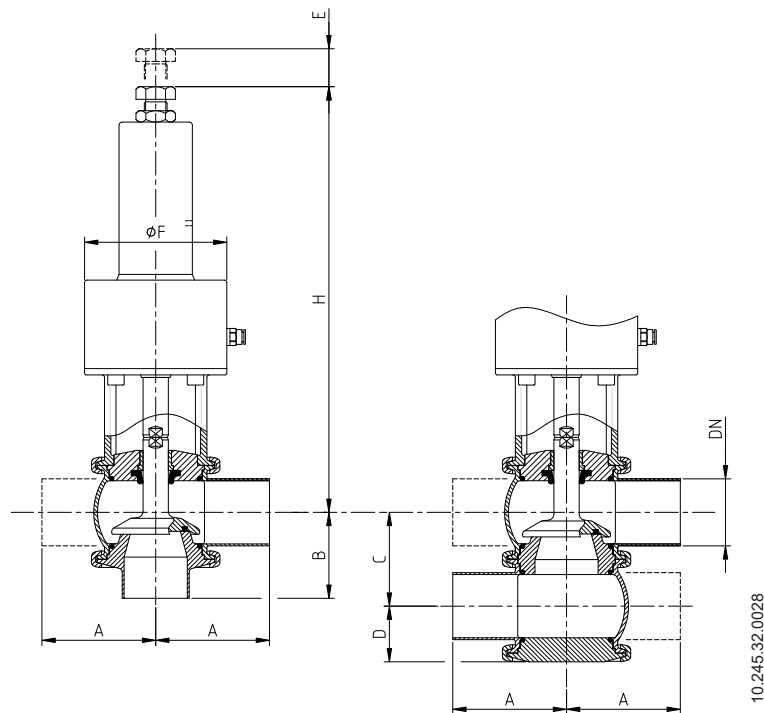
Opening pressure range: from 6 to 10 bar for sizes DN 25, 40 and 50.

External position sensors.

Internal surface finish: Ra < 0,5 µm.

Bodies with heating jacket.

Steam barrier.

DIMENSIONS

| | DN | Pipe | A | B | C | D | E | ØF | H | kg |
|-----|-----|--------------|-----|-----|-----|----|----|-----|-----|-----|
| DIN | 25 | 29,0 x 1,50 | 50 | 50 | 50 | 32 | 35 | 87 | 284 | 4,2 |
| | 40 | 41,0 x 1,50 | 85 | 60 | 62 | 38 | 35 | 87 | 295 | 5,1 |
| | 50 | 53,0 x 1,50 | 90 | 68 | 74 | 44 | 35 | 112 | 329 | 7,6 |
| | 65 | 70,0 x 2,00 | 110 | 81 | 92 | 53 | 35 | 145 | 363 | 14 |
| | 80 | 85,0 x 2,00 | 125 | 90 | 107 | 60 | 35 | 145 | 371 | 16 |
| OD | 100 | 104 x 2,00 | 150 | 125 | 127 | 70 | 16 | 145 | 383 | 19 |
| | 1" | 25,4 x 1,65 | 50 | 50 | 46 | 30 | 35 | 87 | 282 | 4,2 |
| | 1½" | 38,1 x 1,65 | 85 | 60 | 59 | 36 | 35 | 87 | 293 | 5,1 |
| | 2" | 50,8 x 1,65 | 90 | 68 | 72 | 43 | 35 | 112 | 327 | 7,5 |
| | 2½" | 63,5 x 1,65 | 110 | 81 | 86 | 50 | 35 | 145 | 360 | 14 |
| | 3" | 76,2 x 1,65 | 125 | 90 | 99 | 56 | 35 | 145 | 367 | 16 |
| | 4" | 101,6 x 2,11 | 150 | 125 | 124 | 69 | 16 | 145 | 382 | 19 |

HOUSING COMBINATIONS

