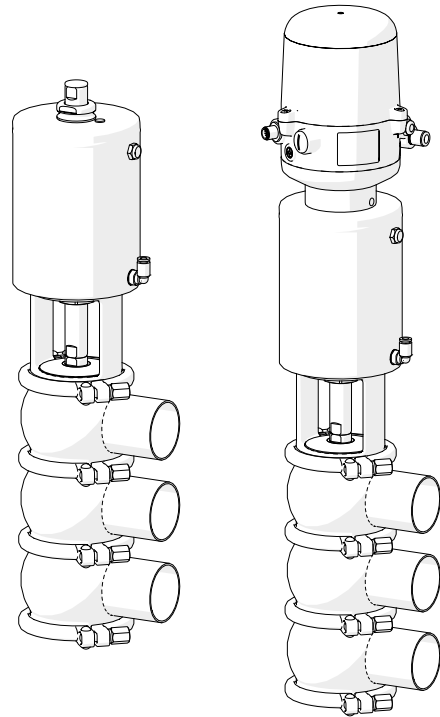


# INNOVA L

## Divert Single Seat Valve



### APPLICATION

The L type valve is a pneumatic divert single seat valve with diverging flow designed for hygienic applications. The plug is specifically designed to manage diverging flows, given that it closes against the direction of flow (inlet via the central body and outlet via the upper or lower bodies).

### DESIGN AND FEATURES

As standard, the lower body is the closure section, whilst the upper body is for diversion. Simply invert the actuator for upper body closure with diversion to the lower body. Easy to maintain with access to the internal parts by loosening the body clamp. Open lantern allows visual inspection of the shaft sealing. 360° adjustable bodies.

### TECHNICAL SPECIFICATIONS

#### Materials

Parts in contact with the product	1.4404 (AISI 316L)
Other stainless steel parts	1.4301 (AISI 304)
Gasket in contact with the product	EPDM

#### Surface finish

Internal	Polished $Ra \leq 0,8 \mu m$
External	Matt

#### Available sizes

DIN EN 10357 series A <small>(previously DIN 11850 series 2)</small>	DN 25 - DN 100
ASTM A269/270 <small>(corresponds to OD pipe)</small>	OD 1" - OD 4"

#### Connections

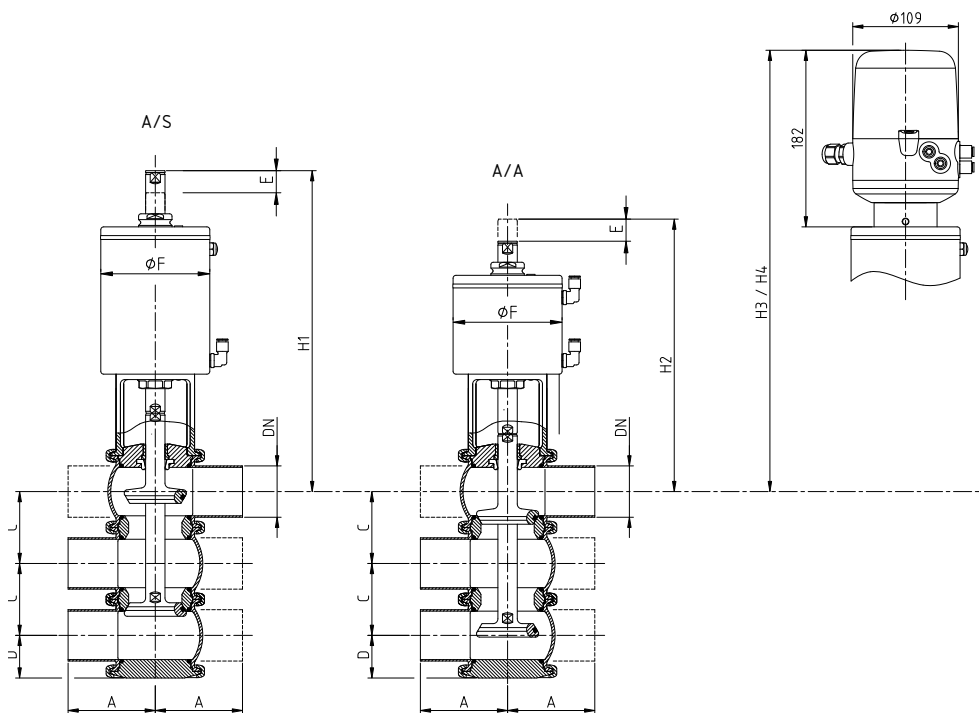
Weld

**Operating limits**

Maximum working temperature	120°C	248°F
Temperature SIP	140°C (max. 30 min)	284°F
Maximum working pressure	1000 kPa (10 bar)	145 PSI
Minimum working pressure	Vacuum	Vacuum
Compressed air pressure	6 - 8 bar	87 - 116 PSI

**OPTIONS**

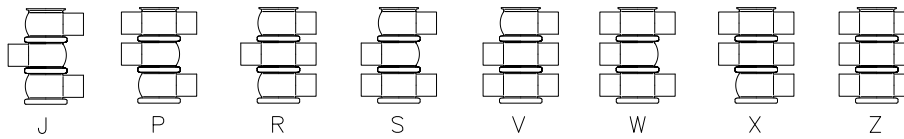
Double-acting pneumatic actuator.  
 Gaskets: FPM, HNBR.  
 Other connection types.  
 Control unit.  
 External position sensors.  
 Steam barrier.  
 Bodies with heating jacket.  
 Internal surface finish: Ra < 0,5 µm.

**DIMENSIONS**

10.241.32.0098

									A/S	A/A	A/S	A/A	
	DN	Pipe	A	C	D	E	ØF	H1	H2	H3	H4	kg	kg
DIN	25	29,0 x 1,50	50	50	32	13	87	270	240	399	369	5,7	5,0
	40	41,0 x 1,50	85	62	38	12	87	272	242	408	378	7,6	6,9
	50	53,0 x 1,50	90	74	44	23	113	331	281	457	407	11,6	10,0
	65	70,0 x 2,00	110	92	53	19	136	341	291	472	422	18,4	15,7
	80	85,0 x 2,00	125	107	60	14	136	344	294	479	429	21,6	18,8
OD	100	104 x 2,00	150	127	70	26	166	377	327	501	451	31,4	27,2
	1"	25,4 x 1,65	50	46	30	8	87	268	238	397	367	5,7	5,0
	1½"	38,1 x 1,65	85	59	36	15	87	276	246	407	377	7,6	6,9
	2"	50,8 x 1,65	90	72	43	25	113	335	285	456	406	11,5	9,9
	2½"	63,5 x 1,65	110	86	50	25	136	350	300	469	419	18,1	15,4
	3"	76,2 x 1,65	125	99	56	22	136	356	306	475	425	21,0	18,3
	4"	101,6 x 2,11	150	124	69	28	166	381	331	500	450	31,3	27,1

## HOUSING COMBINATIONS



10.241.32.0057

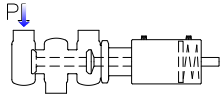
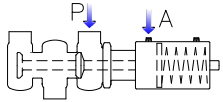
## MAXIMUM PRESSURES

Maximum pressure in bar / PSI without leakage at the valve seat

Actuator/valve body combination and direction of pressure	Air pressure [bar] / [PSI]	Plug position	DN 25	DN 40	DN 50	DN 65	DN 80	DN 100
			OD 1"	OD 1½"	OD 2"	OD 2½"	OD 3"	OD 4"
			[bar] / [PSI]					
	6 / 87	NC	10 / 145	6,2 / 89	6,1 / 89	4,8 / 70	4,2 / 60	4,5 / 66
	6 / 87	NC	10 / 145	9,9 / 144	10 / 145	7,9 / 114	6,7 / 98	6 / 87
	6 / 87	NO	10 / 145	6,8 / 99	6,1 / 89	4,8 / 70	4,2 / 60	4,5 / 66
	6 / 87	NO	10 / 145	9 / 130	10 / 145	7,9 / 114	6,7 / 98	6 / 87
	6 / 87	A/A	10 / 145	10 / 145	10 / 145	10 / 145	10 / 145	10 / 145
	6 / 87	A/A	10 / 145	10 / 145	10 / 145	10 / 145	10 / 145	10 / 145

Maximum pressure in bar / PSI against which the valve can open

Actuator/valve body combination and direction of pressure	Air pressure [bar] / [PSI]	Plug position	DN 25	DN 40	DN 50	DN 65	DN 80	DN 100
			OD 1"	OD 1½"	OD 2"	OD 2½"	OD 3"	OD 4"
			[bar] / [PSI]					
	6 / 87	NC	10 / 145	9,9 / 144	10 / 145	8,7 / 127	7,6 / 110	7,1 / 103
	6 / 87	NC	10 / 145	9,2 / 133	8 / 116	6,3 / 91	5,4 / 78	5,9 / 86

Actuator/valve body combination and direction of pressure	Air pressure	Plug position	DN 25	DN 40	DN 50	DN 65	DN 80	DN 100
	[bar] / [PSI]		OD 1"	OD 1½"	OD 2"	OD 2½"	OD 3"	OD 4"
	6 / 87	NO	10 / 145	7,4 / 108	7 / 102	5,9 / 86	5,1 / 74	5,7 / 83
	6 / 87	NO	10 / 145	10 / 145	10 / 145	9,3 / 135	8 / 116	7,3 / 106

A ≡ air

P ≡ product pressure

NC ≡ normally closed valve

NO ≡ normally open valve

A/A ≡ double acting valve

Values for standard actuators

For other pressures, bigger actuators can be assembled