

Raffaello Series

HIGH PRESSURE HOMOGENIZERS AND PLUNGER PUMPS SINCE 1974

Model HA/PA32



The new
Raffaello Series
conceived with new modular design,
guarantees high flexibility. It is designed
with simplicity in mind for easy
maintenance and installation and for
heavy duty applications. Suitable for CIP
and SIP.

MODEL TABLE* | MAXIMUM CAPACITY** | PRESSURE

MODELS	POWER kW	PRESSURE bar	150	200	250	400	600	1.000	1.200	1.500
HA/PA32022	22	CAPACITY l/h	4.000	3.000	2.200	1.000	800	400	300	200

*Values referring to machines with fixed capacity

**Values referring to products with a max viscosity of 500Cp

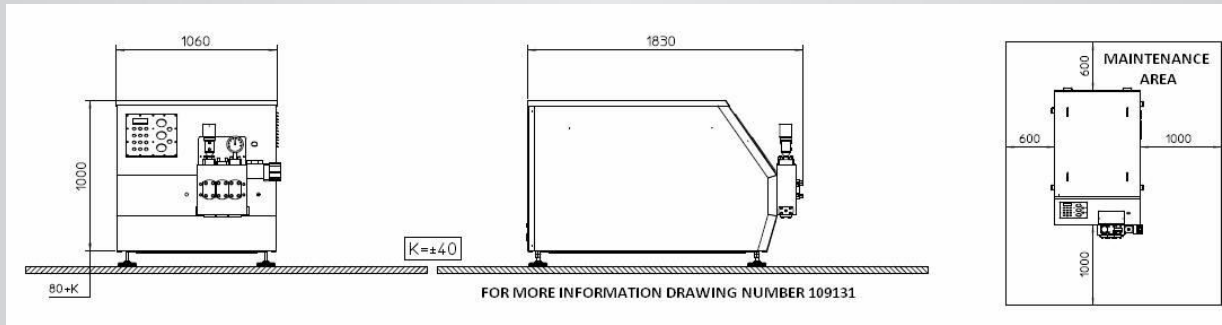
TECHNICAL DATA

Plunger number	3
Stroke (mm)	60
Weight (Kg)	1.100
Water consumption (l/h)	150
Lubrication oil quantity (kg)	7
Product inlet/outlet	Socket weld flange $\varnothing e40 \varnothing i37$ / $\varnothing e29 \varnothing i22$

Design according to MACHINE DIRECTIVES and the HARMONIZED EUROPEAN STANDARD in force.



Model HA/PA32



FEATURES

- Duplex (SAF2205) monoblock stainless steel compression head of high mechanical and corrosion resistance, chrome coated pumping plungers
- Direct transmission system with trapezoidal belts and pulleys
- Homogenizing group with hydro-pneumatic adjustment of homogenizing pressure for maximum stability and homogenizing valves in stellite™
- Conical type pumping group with stellite seat and valves
- Digital pressure transmitter with ceramic membrane
- Overpressure valve, flow switch alarm
- Splash lubrication system, cast iron crankcase
- Terminal box and control panel for local/remote control

OPTIONS

Second stage homogenizing group	Tungsten carbide valve seats
Super duplex (SAF2507) Multiblock compression head for pressure > 600 bar	Pumping plungers
Aseptic execution <ul style="list-style-type: none"> Sterile water generator by means of condensed steam generator Patent pending sterile water generator by means of microfiltration 	<ul style="list-style-type: none"> Chrome carbide coating Integral ceramics
3A, EHEDG or pharma design <ul style="list-style-type: none"> Low roughness and electropolished wettables Certification manual for cGMP 	Electric board <ul style="list-style-type: none"> Internal electric board for fixed and variable capacity Automatic pressure control (PID) by means of PLC
Standard or sharp edge Homogenizing valve with different geometries depending on the type of product <ul style="list-style-type: none"> Tungsten carbide Ceramics 	Inlet and outlet connections <ul style="list-style-type: none"> DIN 11851, Tri clamp, SMS High pressure outlet Option upon request
Ball type valve groups	Explosion proof design
	Sound proof design
	Vibration and temperature monitoring and alarm

***Technical specifications are not mandatory and subject to change without notice

REV4-10/19-EN

