

TLS

Close-coupled Rotary Lobe Pump



APPLICATION

The TLS pump is a positive displacement rotary lobe pump designed according to the sanitary requirements. The pump has a reduced size and it is highly efficient and reliable.

This pump is ideal for managing all kinds of fluid, of either low or high viscosity, in the food-processing, dairy and cosmetic industries as well as for filtering and bottling applications.

Products containing fragile solids such as junket can be pumped without damage thanks to the specially designed lobes.

DESIGN AND FEATURES

The TLS pump is a monoblock pump that can be adapted to any gear motor with a B5 flange. The pump basically consists of a stainless steel pump housing and cover manufactured by investment casting, two tri-lobe rotors with a sanitary design attachment. Moreover, the pump is provided with height adjustable stainless steel legs of hygienic design.

The rotary lobe pump is provided with a C/SiC/EPDM external single mechanical seal. The seal is balanced and has a sanitary design. If an application requires it, other seal materials can be used.

TECHNICAL SPECIFICATIONS

Materials

Parts in contact with the product	1.4404 (AISI 316L)
Other stainless steel parts	1.4307 (AISI 304L)
Support and lantern	GG 25
Gaskets in contact with the product	EPDM

Mechanical seal

Rotary part	silicon carbide (SiC)
Stationary part	carbon (C)
Gaskets	EPDM

Surface finish:

Internal	bright polish, $Ra \leq 0,8 \mu m$
External	matt

Connections:

DIN 11851
Clamp
SMS

Operating limits:

Nominal pressure	1000 kPa (10 bar)	145 PSI
Temperature range (EPDM)	-10°C to 120°C	14°F to 248°F
	140°C (SIP, max. 30 min)	284°F

	DN	Velocidad máxima [rpm]	Presión máxima [bar]	Volumen por revolución [l/rev]
TLS 1-25	25 1"	950	10	0,10
TLS 1-40	40 1½"	950	5	0,14
TLS 2-40		950	10	0,23
TLS 2-50	50 2"	950	5	0,30
TLS 3-50		720	10	0,68
TLS 3-80	80 3"	720	5	0,95

MOTOR AND GEAR UNIT

Helical gear unit with B5 flange in compliance with the IEC standards and triphasic induction motor 4 poles = 1500/1750 rpm, efficiency class according to EC regulation, IP 55 protection and F-class insulation.

3 phases, 50 Hz, 230 V Δ / 400 V Y, \leq 4 kW

3 phases, 50 Hz, 400 V Δ / 690 V Y, \geq 5,5 kW

OPTIONS

Pump casing with drain port.

Mechanical seal options: SiC/SiC, TuC/SiC.

Lip seal.

FPM gaskets.

External by-pass.

Bi-lobe rotors.

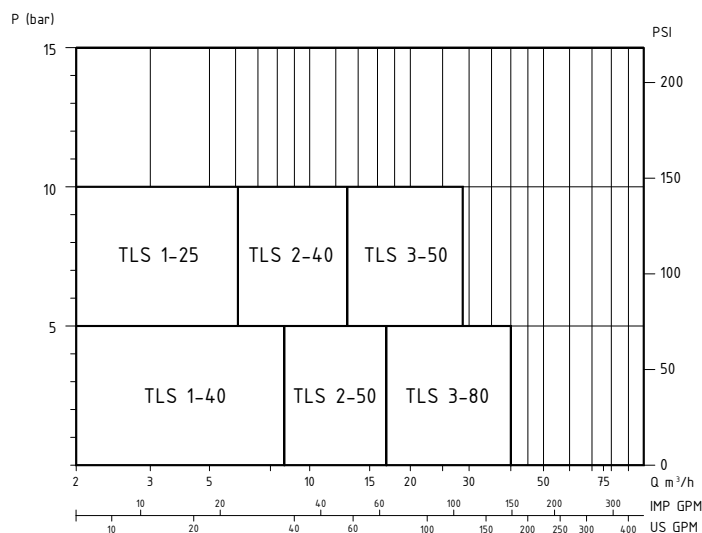
Stainless steel shroud can be mounted without disassembling the pump.

Other drive types and protection classes.

Different types of connections.

Stainless steel trolley.

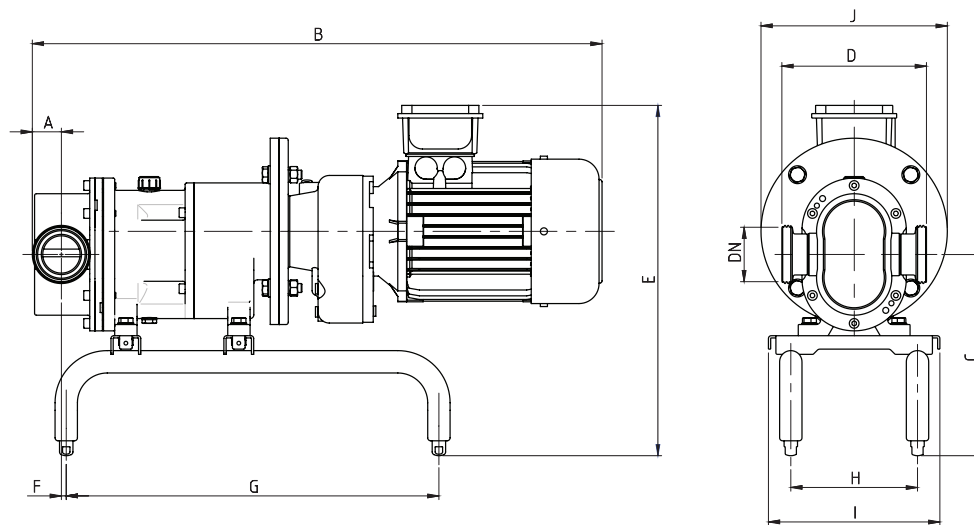
Polyester or stainless steel control box.

PERFORMANCE CHART

01.520.32.0025

DIMENSIONS

Pump	DN	D		
		DIN 11851	SMS	CLAMP
TLS 1-25	25 1"	158	138	156
TLS 1-40	40 1½"	166	146	
TLS 2-40		190	192	189
TLS 2-50	50 2"	194	194	190
TLS 3-50		239	239	235
TLS 3-80	80 3"	256	260	248



01.520.32.0026

Pump	Gear unit	kW	DN	A	B	C	E	F	G	H	I	J	kg
TLS 1-25	SK01F	0,55	25	26	625	220	387	2	400	140	200	165	36
		0,75	25	26	625	220	387	2	400	140	200	165	39
TLS 1-40	SK01F	0,75	40	33	640	220	387	8	400	140	200	165	40
		1,1	40	33	675	220	392	8	400	140	200	185	44
TLS 2-40	SK20F	1,1	40	33	725	270	448	1	500	170	230	200	59
		1,5	40	33	725	270	448	1	500	170	230	200	63
TLS 2-50	SK20F	1,5	50	39	735	270	448	6	500	170	230	200	64
		2,2	50	39	765	270	470	6	500	170	230	200	74
TLS 3-50	SK25F	2,2	50	39	880	353	569	-13	600	200	280	250	121
		3	50	39	880	353	569	-13	600	200	280	250	121
		4	50	39	925	353	579	-13	600	200	280	250	126
TLS 3-50	SK33F	5,5	50	39	1010	353	604	-13	600	200	280	270	156
TLS 3-80	SK25F	3	80	55	905	353	569	-2	600	200	280	250	124
		4	80	55	955	353	579	-2	600	200	280	250	130
TLS 3-80	SK33F	5,5	80	55	1035	353	604	-2	600	200	280	270	159
		7,5	80	55	1035	353	604	-2	600	200	280	270	166